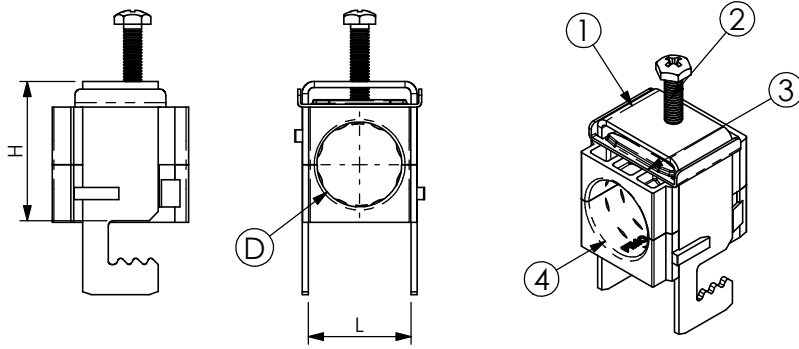


PRODUCT DATA SHEET



A) SPECIFICATIONS

- 1 Stainless steel bow
Hooking on flat and round 3-12mm
- 2 Self-locking pressure screw M6
- 3 Stainless steel sliding pressure plate.
- 4 SAS black P.A. fiberglass saddles

B) RESISTANCE TESTS

UV Test BS-ISO 105-B06
Vibration test conforming to UNI 60068-2-6
Operating temperature: -30°C +120°C

C) PACKAGING INFORMATION

Packing in boxes.
Label indicating:
product code, article, quantity,
production batch,
FIMO logo and figure.
(Customer code on request).

D) MOUNTING INSTRUCTIONS

IST026

CODE	ARTICLE	∅ D	L	H	BOX	WEIGHT
61 1553 0006	sRF B/ 1x6	5 - 6	12	20	50	48
61 1553 0007	sRF B/ 1x7	6 - 7	12	20	50	48
61 1553 0008	sRF B/ 1x8	7 - 8	12	20	50	48
61 1553 0009	sRF B/ 1x9	8 - 9	12	20	50	48
61 1553 0091	sRF B/ 1x9 M	9 - 10	12	20	50	48
61 1553 0010	sRF B/ 1x10	10 - 11	12	20	50	48
61 1553 0011	sRF B/ 1x11	10 - 11	22	34	50	80
61 1553 1012	sRF B/ 1x12	11 - 12	22	34	50	80
61 1553 0013	sRF B/ 1x13	12 - 13	22	34	50	80
61 1553 0014	sRF B/ 1x1/2"S (14)	13 - 14	22	34	50	80
61 1553 0038	sRF B/ 1x3/8" (16)	15 - 16	22	34	50	78
61 1553 0012	sRF B/ 1x1/2" (17)	16 - 17	22	34	50	74
61 1553 0058	sRF B/ 1x5/8" (23)	21 - 23	34	46	50	126
61 1553 0027	sRF B/ 1x7/8"S (27)	26 - 27	34	46	50	124
61 1553 0078	sRF B/ 1x7/8" (28)	27 - 28	34	46	50	124
61 1553 1178	sRF B/ 1x7/8"M (30)	29 - 30	34	46	50	122
61 1553 0118	sRF B/ 1x1.1/8" (38)	36 - 38	46	58	50	174
61 1553 0114	sRF B/ 1x1.1/4" (40)	39 - 40	46	58	50	174
61 1553 0148	sRF B/ 1x1.5/8"S (49)	48 - 49	58	72	25	217
61 1553 0158	sRF B/ 1x1.5/8" (52)	50 - 52	58	72	25	216
61 1553 1214	sRF B/ 1x2.1/4" (60)	59 - 60	70	83	25	256
61 1553 0062	sRF B/ 1x62	60 - 62	70	83	25	246
61 1553 0074	sRF B/ 1x3" (72)	72 - 74	80	94	25	330
61 1553 0076	sRF B/ 1x3"M (76)	74 - 76	80	94	25	330

RI	DATE	DR	DATE	AP	Description:
02					Stainless cable clamps type sRF B For 1 coaxial cable, complete with 2 calibrated saddles. For articles see schedule.
01					
00	05/10/15	G.S.	05/10/15	A.V.	
1 ST EMISSION					
					Use: Hooking of 1 coaxial cable on flat and round 3-12mm.