

2 element Yagi 380 - 420 MHz

BESCHREIBUNG

- > A 2-element VHF/UHF Yagi antenna for PMR/Trunked Radio, Broadcast and extended range VHF Aircraft Band applications.
- > Produced to the highest quality standards, these robust antenna designs will ensure reliable operation in harsh environmental conditions.
- > Former Jaybeam brand product.

SPEZIFIKATIONEN

| Elektrisch DE | |
|---------------------------------|--|
| Frequenz | 380 - 420 MHz |
| Max. Eingangsleistung | 150 W |
| Polarisation | Linear (vertikal und horizontal) |
| Öffnungswinkel 3 dB, vertikal | 75 ° |
| Öffnungswinkel 3 dB, horizontal | 150 ° |
| Impedanz | 50 Ω |
| Gewinn | 3 dBd (5.2 dBi) |
| VSWR | < 1.5:1 |
| Front-Zurück-Verhältnis | > 12 dB |
| Antistatischer Schutz | Alle Metallteile DC-geerdet (Stecker zeigt einen DC-Kurzschluss) |

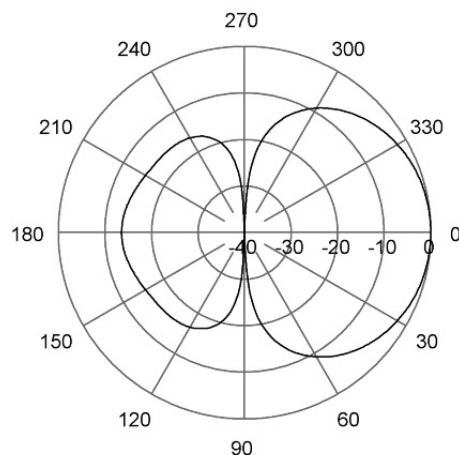
| Mechanisch DE | |
|------------------------------|--|
| Anschlussstyp | N (f) an 3m RG213 / U Kabel |
| Materialien | Boom, 32 mm dia. aluminium elements, 12.7 mm dia. aluminium balun, Fully moulded enclosure |
| Länge | 690 mm / 27.17 in. |
| Windlast | 50 N (160km/h) |
| Gewicht | 1.3 kg / 2.87 lb |
| Montagehalterung | 3202078/68 + 3201079/00 (Ordered Separately) |
| Alternative Montagehalterung | 0900912/00, 0302032/68, or 0300064/00 + U-Bolts to match mounting pipe diameter (Ordered Separately) |

BESTELLUNG

| Modell | Produkt Nr | Frequenz |
|---|------------|---------------|
| 2 element Yagi 380-420 MHz | 7039380 | 380 - 420 MHz |
| Galvanised steel crossover bracket 32/50mm | 0900912/00 | |
| Pressed steel cross clamp 2" x 1-1/4" (JBL73) | 0302032/68 | |
| Cast aluminium cross clamp, circular | 0300064/00 | |
| M8 x 50mm (2") U-Bolts (1 Pair) | 4884036/00 | |
| M8 x 75mm (3") U-Bolts (1 Pair) | 4884076/00 | |
| Fixed norstel / coupler clamp (cross clamp) | 3202078/68 | |
| Increasing sleeve | 3201079/00 | |

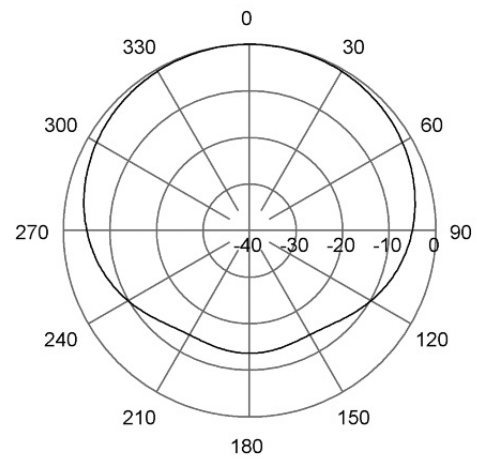


STRAHLUNGSDIAGRAMM



E-Plane | 400 MHz

STRAHLUNGSDIAGRAMM



H-Plane | 400 MHz