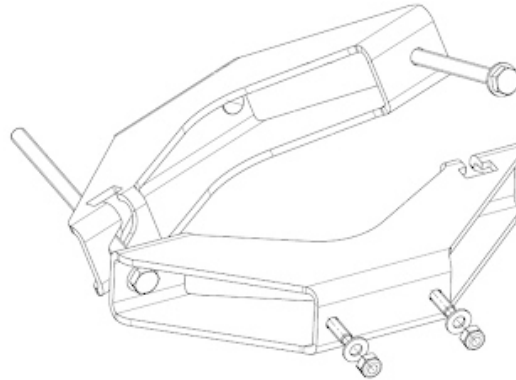


Clamp 210-380mm

85010003

Properties

- Mounting Hardware for Special Communication Antennas: Clamps
- Wind load category "L", "M" and "H"



Mechanical data	
Weight	4.8 kg
Dimensions	442 mm x 50 mm (Width x Depth) Antenna to mast distance: 48-68 mm
Remarks	Material – Clamp - Hot-dip galvanized steel Screws - Stainless steel Nuts - Stainless steel

Additional Information	
Number of pieces: 1 clamp	

HUBER+SUHNER is certified by ISO 9001, ISO 14001, ISO 45001, IATF 16949, AS/EN 9100 and ISO/TS 22163-IRIS. Waiver: Facts and figures herein are for information only and do not represent any warranty of any kind.
DOCUMENT PIM-P35435 / Date of publication: 05.06.2024 / uncontrolled copy